

LET'S GO SAILING



THE RULES

Family game for 2 - 4 persons

You will need:

4 COUNTERS (you can make them on your own, follow the instructions), DICE

The aim is to complete the game as fast as possible. Each player takes a counter. Players throw the dice. Whoever gets the most pips goes to START circle first. You can start when you get 1 or 6 pips.

If you stand on a circle occupied by another player you have to go back to START. If you get 6 pips while playing you get an extra move. To complete the game you need to throw enough pips to get to FINISH spot. More info below. Have fun!

Signs:



Got an extra move



Move to spot indicated by arrows



Wait 2 rounds



Move 5 circles forward



Go back to START

How to make a sailing yacht counter from a bottle cap

You will need:

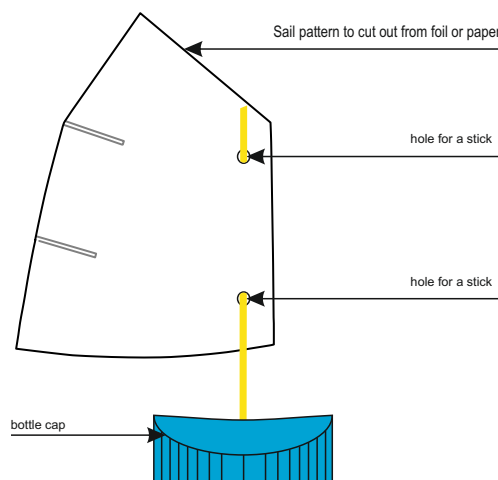
- 4 plastic bottle caps, each different color
- 4 pieces of foil or color paper
- a bit of plasticine
- 4 toothpicks or color straws

Stick a bit of plasticine to the middle of each cap's bottom.

Then cut out a sail from foil or paper. You can draw the shape of the sail by imitating the one you can see on your right hand side.

Cut two small holes for the mast in the sail and set it up. Now place them in the middle of the cap which is now the hull of your little yacht.

DONE :)



POLISH
YACHTING
ASSOCIATION

Reach out for more!



 POLSAILING

www.polsailing.pl

www.pya.org.pl